

924-ST2

- "EZ Setup"- Guided Setup for First Time Users
- Liquid, Gas, Steam and Heat Flow Equations
- Utility Metering
- Menu Selectable Hardware & Software Features
- Internal Data Logging Option
- Isolated Pulse and Analog Outputs Standard
- RS-232 Port Standard, Modbus RTU RS-485 Optional
- Windows™ Setup Software
- NX19 Gas Equations, Stacked DP Transmitters
- DDE Server & HMI Software Available

Description:

The 924-ST2 Flow Computer satisfies the instrument requirements for a variety of flowmeter types in liquid, gas, steam and heat applications. Multiple flow equations are available in a single instrument with many advanced features.

The alphanumeric display offers measured parameters in easy to understand format. Manual access to measurements and display scrolling is supported

The versatility of the Flow Computer permits a wide measure of versatility within the instrument package. The various hardware inputs and outputs can be "soft" assigned to meet a variety of common application needs. The user "soft selects" the usage of each input/output while configuring the instrument. Consider the following illustrative examples.

The isolated analog output can be chosen to follow the volume flow, corrected volume flow, mass flow, temperature, pressure, or density by means of a menu selection. Most hardware features are assignable by this method.

Multi-Function Flow Computer



- Remote Metering by Wireless or Modem and TROLlink Remote Metering Software Available

The user can assign the standard RS-232 Serial Port for external data logging, transaction printing, or for connection to a modem for remote meter reading.

A Service or Test mode is provided to assist the user during start-up system check out by monitoring inputs and exercising outputs. The system setup can also be printed.

Specifications:

Environmental

Operating Temperature: 0 to +50 C
Storage Temperature: -40 to +85 C
Humidity : 0-95% Non-condensing
Materials: UL, CSA, VDE approved

Display

Type: 2 lines of 20 characters
Types: Backlit LCD and VFD ordering options
Character Size: 0.3" nominal
User selectable label descriptors and units of measure

Keypad

Keypad Type: Membrane Keypad
Keypad Rating: Sealed to Nema 4
Number of keys: 16

Enclosure

Enclosure Options: Panel, Wall, Explosion Proof
Size: See Dimensions
Depth behind panel: 6.5" including mating connector
Type: DIN
Materials: Plastic, UL94V-0, Flame retardant
Bezel: Textured per matt finish

Power Input

The factory equipped power option is internally fused. An internal line to line filter capacitor is provided for added transient suppression. MOV protection for surge transient is also supported
Universal AC Power: 85 to 276 Vrms, 50/60 Hz
DC Power Option: 24 VDC (16 to 48 VDC)
Power Consumption
AC Power: 6.5 V/A (6.5W)
DC Power: 300 mA max.

Flow Meter Types:

Linear: Vortex, Turbine, Positive Displacement, Magnetic, GilFlo, GilFlo 16 point, ILVA 16 Point and others
Square Law: Orifice, Venturi, Nozzle, V-Cone, Wedge, Averaging Pitot, Target and others
Multi-Point Linearization: May be used with all flowmeter types. Including: 16 point, UVC and dynamic compensation.

Flow Inputs:

Analog Input:

Accuracy: 0.02% FS at 20° C
Ranges
Voltage: 0-10 VDC, 0-5 VDC, 1-5 VDC
Current: 4-20 mA, 0-20 mA,
4-20 mA stacked, 0-20 mA stacked
Basic Measurement Resolution: 16 bit
Update Rate: 4 updates/sec
Automatic Fault detection: Signal over/under-range, Current Loop Broken
Calibration: Operator assisted learn mode
Extended calibration: Learns Zero and Full Scale of each range
Fault Protection:
Fast Transient: 500 V Protection (capacitive clamp)
Reverse Polarity: No ill effects
Over-Voltage Limit: 50 VDC Over voltage protection
Over-Current Protection: Internally current limited protected to 24VDC

Pulse Inputs:

Number of Flow Inputs: one
Input Impedance: 10 k Ω nominal
Trigger Level: (menu selectable)
High Level Input
Logic On: 2.5 to 30 VDC
Logic Off: 0 to 2 VDC
Low Level Input (mag pickup)
Selectable sensitivity: 10 mV and 100 mV
Minimum Count Speed: 0.25 Hz (to maintain rate display)
Maximum Count Speed: Selectable: 0 to 50 kHz
Overvoltage Protection: 50 VDC
Update Speed: 1 update/sec.

Temperature, Pressure, Density Inputs

The compensation inputs usage are menu selectable for temperature, temperature 2, pressure, density or not used.

Calibration: Operator assisted learn mode

Operation: Ratiometric

Basic Measurement Resolution: 16 bit

Update Rate: 2 updates/sec minimum

Automatic Fault detection:

Signal Over-range/under-range

Current Loop Broken

RTD short

RTD open

Reverse Polarity: No ill effects

Over-Current Limit

(current input) Internally limited to protect input to 24 VDC

Available Input Ranges

Current: 4-20 mA, 0-20 mA

Resistance: 100 Ohms DIN RTD

Accuracy: 0.02% FS at 20° C

100 Ohm DIN RTD (DIN 43-760, BS 1904):

Three Wire Lead Compensation

Internal RTD linearization learns ice point resistance

1 mA Excitation current with reverse polarity protection

Temperature Resolution: 0.1°C

Temperature Accuracy: 0.5°

Stored Information (ROM)

Steam Tables (saturated & superheated),

Fluid Properties: Water, Air, Natural Gas, A Variety of User Entered Industrial Fluids or Generic.

User Entered Stored Information (EEPROM / Nonvolatile RAM)

Transmitter Ranges, Signal Types
Fluid Properties
(reference density, expansion factor, specific heat, viscosity, isentropic exponent, combustion heating value, Z factor)
Units Selections (English/Metric)
Language Translations (optional)

Excitation Voltage

24 VDC @ 100 mA (fault protected with self resetting fuse)

Relay Outputs

The relay outputs usage is menu assignable to (Individually for each relay) Hi/Lo Rate Alarm, Hi/Lo Temperature Alarm, Hi/Lo Pressure Alarm, Pulse Output (pulse options), Wet Steam or General purpose warning (security).
Number of relays: 2 (3 optional)
Contact Style: Form C contacts (Form A with 3 relay option)
Contact Ratings: 240 V, 5 amp

Analog Outputs

The analog outputs are menu assignable to correspond to the Uncompensated Volume Rate, Corrected Volume Rate, Mass Rate, Heat Rate, Temperature, Density, Pressure or Delta Temperature.

Number of Outputs: 2
Type: Isolated Current Sourcing (shared common)
Available Ranges: 0-20 mA, 4-20 mA (menu selectable)
Resolution: 16 bit
Accuracy: 0.05% FS at 20 Degrees C
Update Rate: 5 updates/sec
Temperature Drift: Less than 200 ppm/C
Maximum Load: 1000 ohms
Compliance Effect: Less than .05% Span
60 Hz rejection: 40 dB minimum
EMI: No effect at 3 V/M
Calibration: Operator assisted Learn Mode
Averaging: User entry of DSP Averaging constant to cause a smooth control action

Listing: CE Compliant, UL/C-UL Pending

Serial Communication

The serial port can be used for printing, datalogging, modem connection, two way paging and communication with a computer.

RS-232:

Device ID: 01-99
Baud Rates: 300, 600, 1200, 2400, 4800, 9600, 19200

Parity: None, Odd, Even

Handshaking: None, Software, Hardware

Print Setup: Configurable print list and formatting

RS-485: (optional 2nd COM port)

Device ID: 01-247
Baud Rates: 300, 600, 1200, 2400, 4800, 9600, 19200

Parity: None, Odd, Even

Protocol: Modbus RTU (Half Duplex)

Data Logging

The data logger captures print list information to internal storage for approximately 5000 transactions. This information can be used for later uploading or printing. Storage format is selectable for Comma-Carriage Return or Printer formats.

Isolated Pulse output

The isolated pulse output is menu assignable to Uncompensated Volume Total, Compensated Volume Total, Heat Total or Mass Total.
Pulse Output Form (menu selectable): Open Collector NPN or 24 VDC voltage pulse
Nominal On Voltage: 24 VDC
Maximum Sink Current: 25 mA
Maximum Source Current: 25 mA
Maximum Off Voltage: 30 VDC
Saturation Voltage: 0.4 VDC
Pulse Duration: User selectable
Pulse output buffer: 8 bit
Fault Protection
Reverse polarity:
Shunt Diodes
Over-current Protected
Over-voltage Protected

Real Time Clock

The Flow Computer is equipped with a pseudo nonvolatile real time clock with display of time and date.

Format:
24 hour format for time
Day, Month, Year for date

Fig. 1: Standard Dimensions

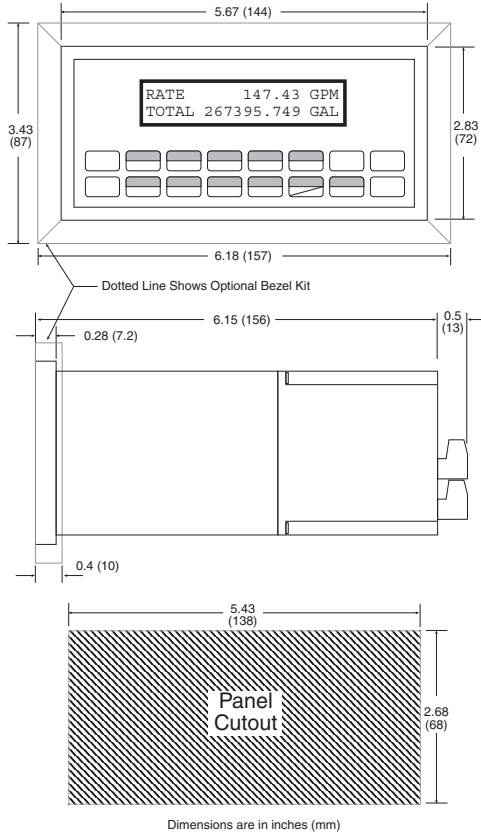
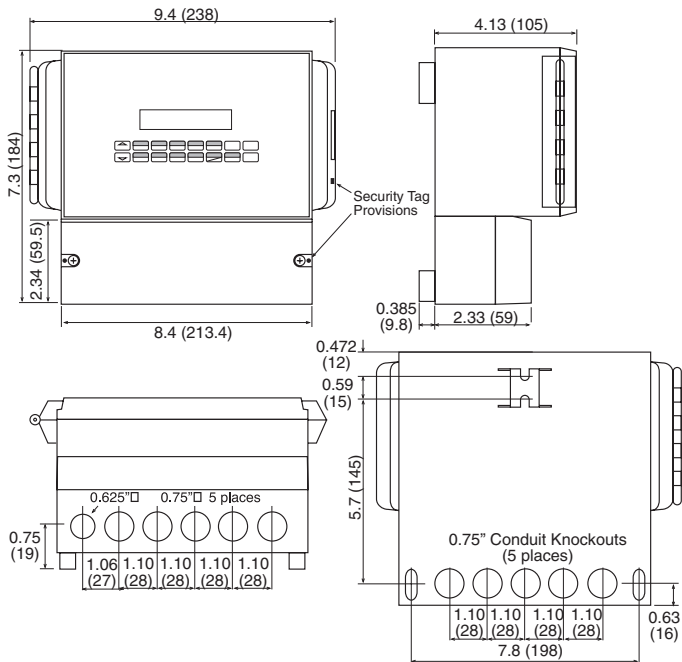


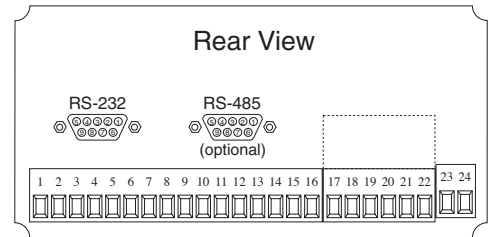
Fig. 2: Wall Mount (“W” mounting option) Dimensions



Terminal Designations

1	DC OUTPUT	2	FLOW IN	3	TEMPERATURE IN	4	COMMON	5	DC OUTPUT	6	RTD EXCIT (+)	7	RTD SENS (+)	8	RTD SENS (-)	9	RTD EXCIT (+)	10	RTD SENS (+)	11	RTD SENS (-)	12	PULSE OUTPUT (+)	13	PULSE OUTPUT (-)	14	ANALOG OUTPUT 1 (+)	15	ANALOG OUTPUT 2 (+)	16	ANALOG OUTPUT COMMON (-)	17	NO	18	COM RLY1	19	NC	20	NC	21	COM RLY2	22	NO	23	AC LINE	24	AC LINE	DC (+)	POWER IN	DC (-)
---	-----------	---	---------	---	----------------	---	--------	---	-----------	---	---------------	---	--------------	---	--------------	---	---------------	----	--------------	----	--------------	----	------------------	----	------------------	----	---------------------	----	---------------------	----	--------------------------	----	----	----	----------	----	----	----	----	----	----------	----	----	----	---------	----	---------	--------	----------	--------

Terminal Layout



Ordering Information

Example 924-ST2 L 1 0 P 10

Series: 924-ST2 = Flow Computer

Display Type: L = LCD
V = VFD

Input Type: 1 = 85 to 276 VAC
3 = 24 VDC

Network Card: 0 = None
1 = RS-485/Modbus

Mounting: P = Panel Mount
N = NEMA 4 Wall Mount
W = NEMA 12/13 Wall Mount w/ Clear Cover
E = Explosion Proof (No Button Access)
X = Explosion Proof (with Button Access)

Options:

- 1 = Peak Demand
- 2 = AGA NX-19 calculation for natural gas
- 3 = Three Relays
- 4 = Stacked DP option
- 5 = Datalogger option
- 6 = Stack Emissions Controller option
- 7 = Manifold Flowmeter Controller option
- 9 = 3 Relay Super Chip (options 1, 2, 4, 6, 7)
- 10 = 2 Relay Super Chip (options 1, 2, 4, 6, 7)
- 13 = Superchip; 2 relay, Positive heat only
- 14 = Superchip; 3 relay, Positive heat only

Accessories:

- KEPS-KEP1-32 = 32 Bit OPC/DDE Server for KEP RS-232 Protocol
- KEPS-MBS-32 = 32 Bit Modbus RTU OPC/DDE server
- TWP = Industrial Two Way Pager Transceiver
- MPP200N = Industrial Wall Mount Modem
- P1000 = Hand Held Printer
- CA-285 = RS-232 to RS-485 Converter