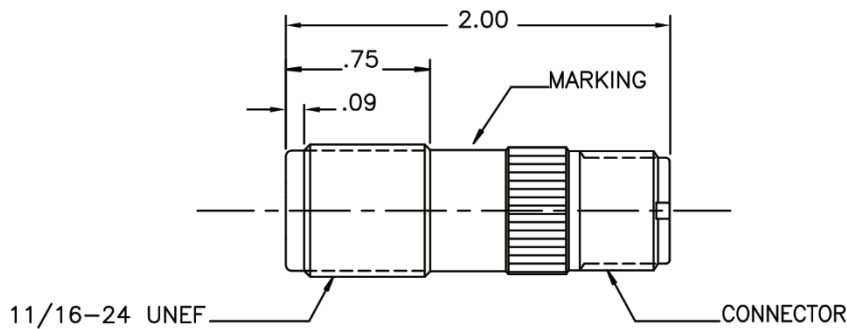


RF Pick up Coil

Connector Type, 11/16 – 24

FLOWMETRICS P/N	TEMP. PROBE	TEMP. RANGE	PRODUCT CODE	P/N
0059-34111	NO	-250° F to +400° F	RF10-MS, K11/16-24x0.6/2.0" 4HT	0059-34111
0059-35111	NO	-450° F to +450° F	RF10-MS, K11/16-24x0.6/2.0" 5HT	0059-35111
0059-3A411	RTD100	-150 to +450° F	RF10-RTD100-B4, K11/16-24x0.6/2.0" 5TE	0059-3A411



CONSTRUCTION:

HOUSING: 303 SS
 SOLID EPOXY ENCAPSULATION

CONNECTOR:

MS 3102-10SL-4S
 2 PIN SEALED TYPE
 GOLD PLATED CONTACTS
 MATES WITH: MS 3106-10SL-4S

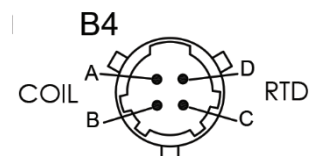
TEMP. PROBE:

RTD100, 100 ± 0.1Ω
 ACCURACY: ± 0.3°C or 0.6%
 Temp. Coef.: 0.00385 Ω /Ω/°C

HIGH SIGNAL OUTPUT
 HIGH SHOCK AND VIBRATION RESISTANCE
 (IMPACT: 25Gs MIN., VIBRATION: 2Gs AT 2000 Hz MIN.)

CE COMPLIANCE:

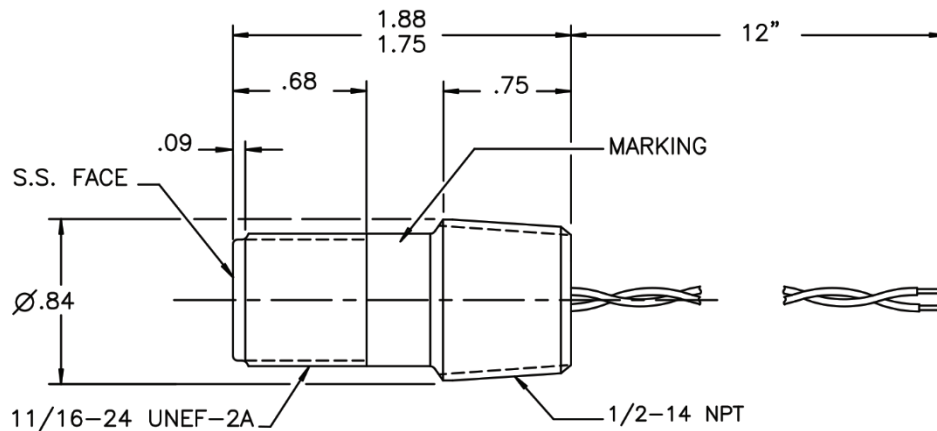
EN 55011, EN 50082-2



RF Pick up Coil

Lead Wire, Conduit Fitting 1/2" MNPT, 11/16-24

FLOWMETRICS P/N	TEMP. PROBE	TEMP. RANGE	PRODUCT CODE	P/N
0066-34111	NO	-250° F to +400° F	RF10-L12", X 11/16-24x1.8", 4HT	0066-34111
0066-35111	NO	-450° F to +450° F	RF10-L12", X 11/16-24x1.8", 5HT	0066-35111
0066-3A111	RTD100	-150 to +450° F	RF10-RTD100-L12", X 11/16-24x1.8", 5TE	0066-3A111



CONSTRUCTION: HOUSING: 303 SS
SOLID EPOXY ENCAPSULATION

LEAD WIRE: WHITE, TFE 22 AWG, TWISTED

TEMP. PROBE: RTD100, $100 \pm 0.1 \Omega$

ACCURACY: $\pm 0.3^\circ\text{C}$ or 0.6%

Temp. Coef.: $0.00385 \Omega / \Omega / ^\circ\text{C}$

RTD LEAD WIRE, TFE 20 AWG

COLOR CODE:

RED (x1)

BLACK (x2) (2 WIRES ARE PROVIDED FOR LEAD WIRE RESISTANCE COMPENSATION)

HIGH SIGNAL OUTPUT

HIGH SHOCK AND VIBRATION RESISTANCE

(IMPACT: 25Gs MIN., VIBRATION: 2Gs AT 2000 Hz MIN.)

CE COMPLIANCE: EN 55011, EN 50082-2

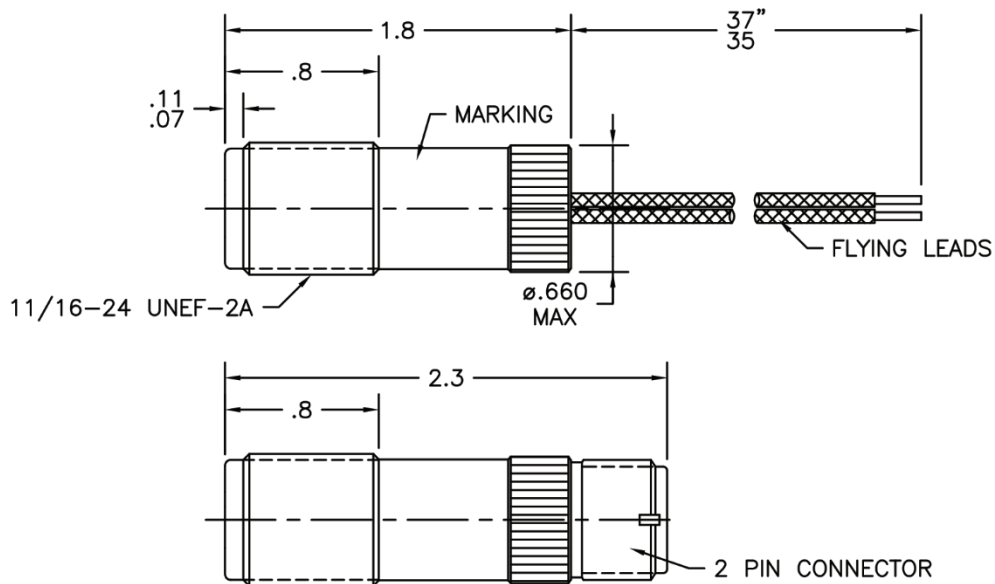


RF Pick up Coil

High Temp, Lead wire Type, 11/16-24

High Temp, Connector Type, 11/16-24

TERMINATION	PRODUCT CODE	P/N
FLYING LEADS	RF4-L36" K11/16-24x0.8/1.8" 8HT	0067-11(Discontinued. Refer to 0060-38722)
2 PIN CONNECTOR	M-MO K1/2-20x0.9/3.3"3T	0068-11(Discontinued. Refer to 0059-38122)



CONSTRUCTION:
 HOUSING: 303 SS
 ENCAPSULATION: SOLID CERAMIC
 LEAD WIRES: MICA-GLASS INSULATED, 22 AWG
 CONNECTOR: 2 PIN GLASS SEALED MS3102-10SL-4P

TEMPERATURE RANGE: 8HT: -450° to 750° F (-270° to 400° C)

CE COMPLIANCE: EN 55011, EN 50082-2

NOTE: 1. MUST BE USED IN CONJUNCTION WITH A 4013 HS TYPE RF PREAMP
 2. 8HT PICKUP HAS ~20% REDUCED SENSITIVITY COMPARED TO STANDARD 450°F PICKUPS.

